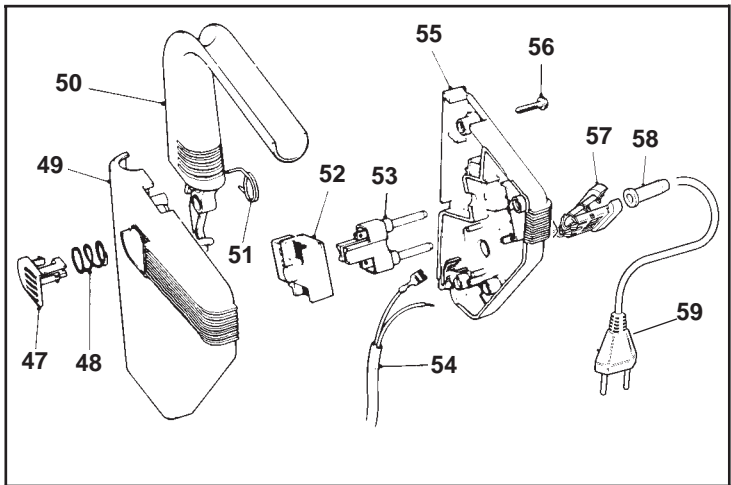
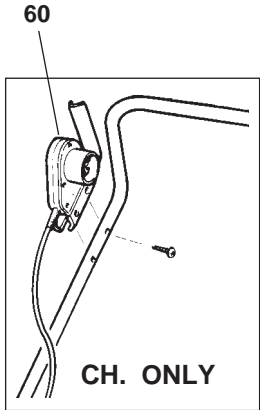
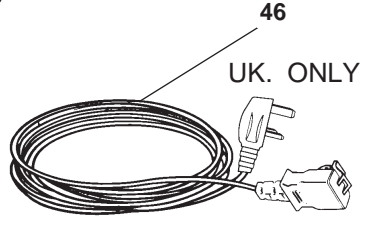
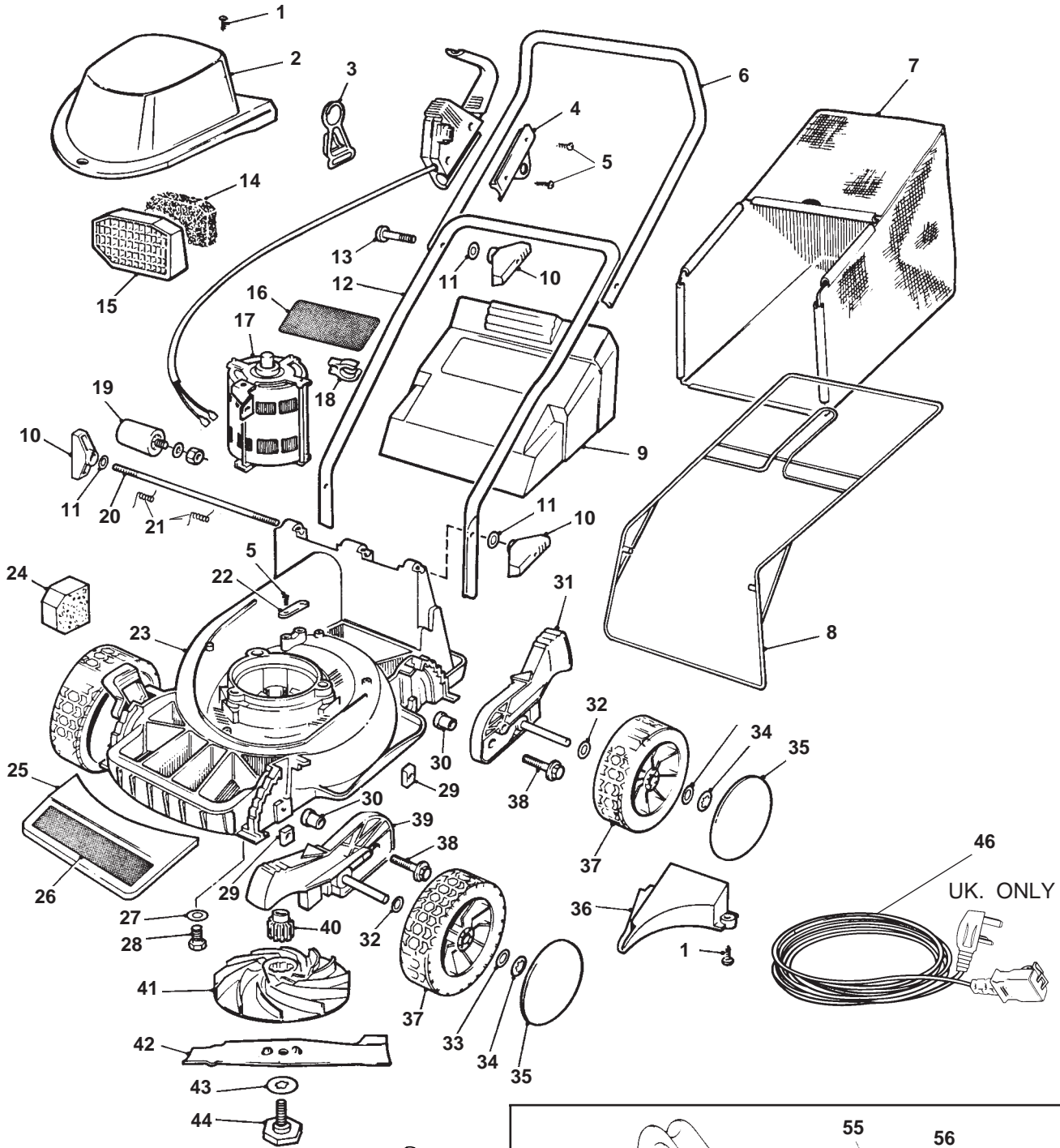


MODEL	RE400	9644061-01	GB.El.	9644063-01	GB.El.	9644064-40	GB.El.
		9644061-99	AUS.	9644063-27	N.DK.S.SF.	9644061-86	F.B.NL.D.A.E.P.I.DK.N.S.SF.
PRODUCT NO.	9644061/62/63/64	9644062-22	CH.	9644063-85	A.B.D.F.NL.I.E.P.	9644061-99	AUS.NZ.
		9644062-27	N.DK.S.SF.	9644064-01	GB.El.		
		9644062-87	A.B.D.F.E.I.NL.P.DK	9644064-22	CH.		



MODEL	RE400	9644061-01 GB.EI.	9644063-01 GB.EI.	9644064-40 GB.EI.
		9644061-99 AUS.	9644063-27 N.DK.S.SF.	9644061-86 F.B.NL.D.A.E.P.I.DK.N.S.SF.
		9644062-22 CH.	9644063-85 A.B.D.F.NL.I.E.P.	9644061-99 AUS.NZ.
PRODUCT NO.	9644061/62/63/64	9644062-27 N.DK.S.SF.	9644064-01 GB.EI.	
		9644062-87 A.B.D.F.E.I.NL.P.DK	9644064-22 CH.	

01	5149088-00/6	6	SCREW
02	5127287-00/0	1 GB.EI.	COWL
	5127287-01/8	1 A.B.D.F.E.I.P.NL.N.DK.S.SF. AUS.	COWL
03	5138024-00/4	1	CORD GUIDE
04	5117657-00/6	1	SWITCHBOX RETAINER
05	5146672-00/0	4	SCREW
06	5126939-17/1	1 GB.EI.A.B.D.F.E.I.P.NL.N.DK.S.SF.AUS.	HANDLE,UPPER
	5127493-00/4	1 CH.	HANDLE,UPPER
07	5106482-00/2	1	GRASSBAG
08	5149030-00/8	1	FRAME
09	5106508-64/0	1	SAFETY FLAP
10	5137679-00/6	4	WING KNOB
11	5140266-00/7	4	WASHER
12	5127303-00/5	1	HANDLE,LOWER
13	5148672-00/8	2	HANDLE BOLT
14	5138162-00/2	1	FILTER
15	5106525-00/8	1	FILTER SUPPORT
16	5146467-00/5	1 GB.EI.AUS.	LABEL,WARNING
	5138000-00/4	1 N.DK.S.SF.	LABEL,WARNING
	5138215-00/8	1 A.B.D.F.E.I.NL.P.DK.	LABEL,WARNING
17	5150019-00/7	1	MOTOR
18	5137811-00/5	2	CABLE CLIP
19	5195204-00/2	1	CAPACITOR
20	5138079-00/8	1	TIE BAR
21	5149046-00/4	2	SPRING
22	5140705-00/4	1	CABLE CLAMP
23	5106509-06/9	1	DECK,40CM,
24	5127306-00/8	2	BALLAST WEIGHT
25	5117669-06/8	1	COVER,FRONT
26	5137970-00/9	1	LABEL,FLYMO
27	5146309-00/9	4	WASHER
28	5148796-00/5	4	SCREW
29	5148919-00/3	4	NUT,LEVER
30	5148977-00/1	4	BUSH,LEVER
31	5117563-00/6	2	HEIGHT ADJ. LEVER
32	5149037-00/3	4	WAVE WASHER
33	5140980-00/3	4	WASHER
34	5149040-00/7	4	STARLOCK FASTENER
35	5127158-01/1	4	HUB CAP
36	5117453-01/8	1	COLLECTOR PLATE
37	5138060-00/8	4	WHEEL
38	5148976-00/3	4	BOLT,LEVER
39	5117563-01/4	2	HEIGHT ADJ. LEVER
40	5117855-00/6	1	INSERT,IMPELLER
41	5117785-00/5	1	FAN
42	5116692-02/0	1	BLADE,40CM
	5117889-00/5	1 AUS.	BLADE
43	5148259-00/4	1	WASHER ANTI FRICTION
44	5137608-01/3	1	BLADE BOLT ASSY
45	5126682-00/3	1	SPANNER/SCRAPER
46	5127250-03/2	1 GB.EI.	MAINS LEAD
	5126968-00/6	1 AUS.	MAINS LEAD
47	5127008-00/0	1	LOCK OFF
48	5148658-00/7	1	SPRING,LOCK OFF
49	5106539-00/9	1	SWITCHBOX UPPER
50	5106413-00/7	1	LEVER
51	5148657-00/9	1	SPRING,TORSION
52	5137786-00/9	1	SWITCH
53	5137686-00/1	1 GB.EI.	PIN RETAINER
	5148784-00/1	1 A.B.D.F.E.I.P.NL.N.DK.S.SF.	PIN RETAINER
54	5148814-21/2	1 GB.EI.N.DK.S.SF.AUS.	LEAD ASSY
	5148814-24/6	1 A.B.D.F.E.I.NL.P.DK.	LEAD ASSY
55	5106538-00/1	1 GB.EI.AUS.	SWITCHBOX LOWER
	5106540-00/7	1 A.B.D.F.E.I.P.NL.N.DK.S.SF.	
56	5146672-00/0	4	SCREW
57	5117528-00/9	1 AUS.	CABLE RETAINER
58	5148741-00/1	1 AUS.	PROTECTION SLEEVE
59	5148280-04/2	1 AUS.	CONNECTING LEAD
60	5127489-00/2	1 CH.	SWITCHBOX,SCHULTE